

Mini Neopolitan Plaza

user installation instructions

FLUSH GROUND FIXING KIT

KIT CONTENTS:

- | | |
|----------------------|-----|
| 1) FIXING BRACKET | x 1 |
| 2) FIXING PLATE | x 1 |
| 3) BOLT – M8 x 40 | x 3 |
| 4) WASHER – M8 x Ø25 | x 3 |

ASSEMBLY INSTRUCTIONS:

- Dig a hole slightly larger than the Fixing Bracket, but if possible smaller than the area to be covered by the Bin Base.
- Leave the three Bolts and Washers in the Fixing Bracket until after concreting.
- Back-fill if necessary and place the Fixing Bracket into the centre of the hole. Ensure the top of the Fixing bracket is flush with the surrounding pavement surface (**Fig 1**).
- Fill the hole with concrete to the level of the surrounding pavement and ensure the Fixing Bracket remains level until the concrete has set (**Fig 2**).
- Remove the three Bolts and washers from the Fixing Bracket and retain.
- Place the Bin Base over the Fixing Bracket and align the three holes with the three fixing positions in the Bracket. Place the Fixing Plate into the Bin Base aligning with the three holes. Secure the Bin Base to the Fixing Bracket using the three Bolts and Washers using a 13mm socket (**Fig 3**).

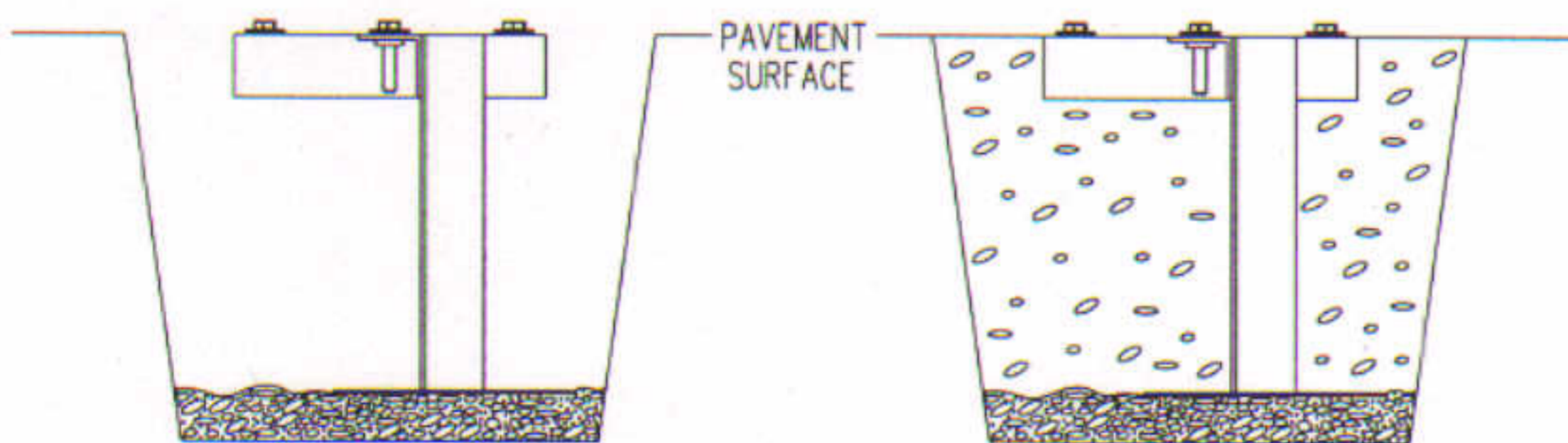


Fig 1

Fig 2

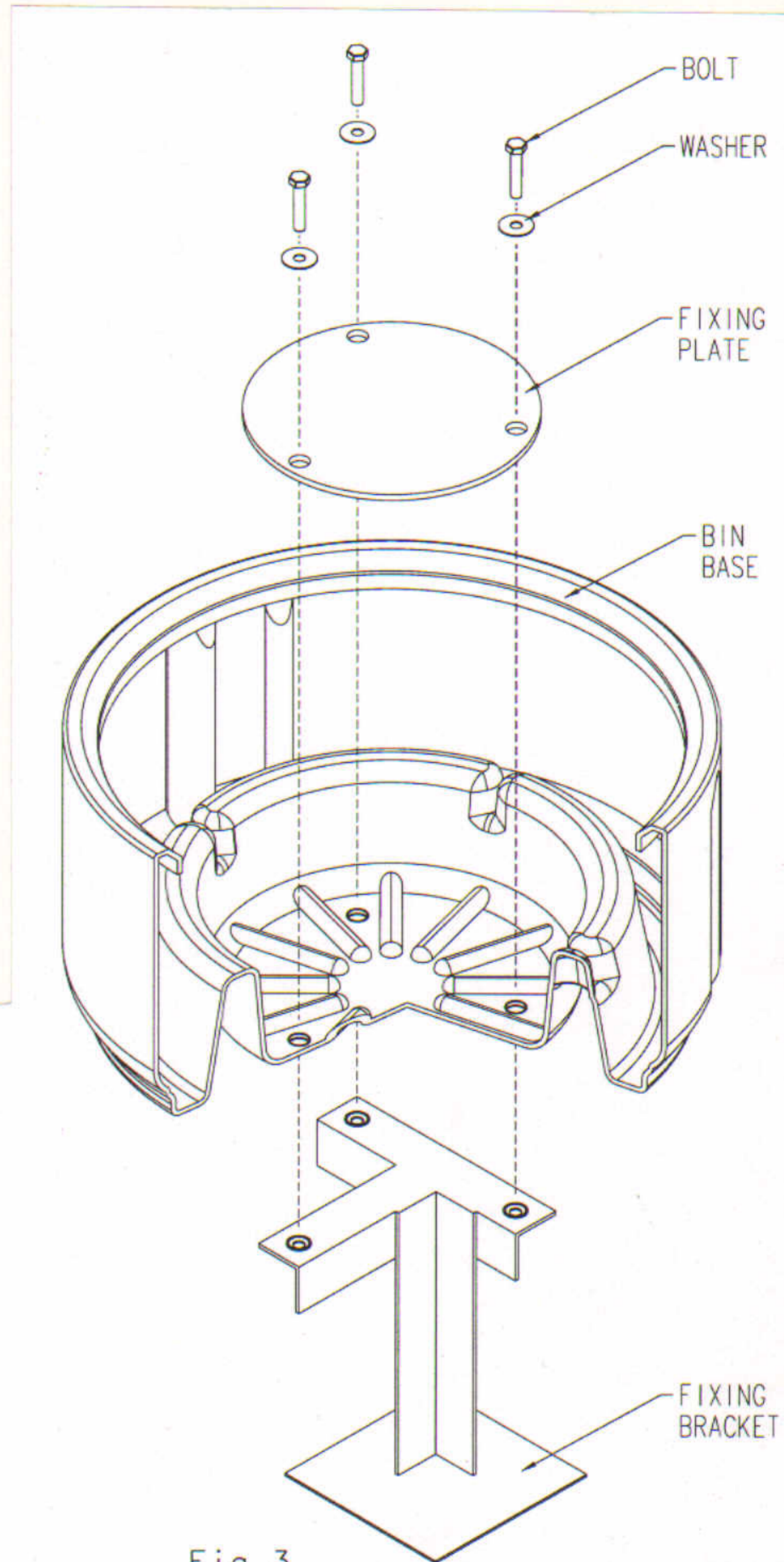


Fig 3

Glasdon U.K. Limited
Preston New Road
BLACKPOOL
Lancashire
FY4 4UL



Tel: (01253) 600400
Fax: (01253) 792558

e-mail: sales@glasdon-uk.co.uk
web: www.glasdon.com

Stock No. C000/0208 Issue 1 August 2000 © copyright August 2000. Glasdon reserve the right to alter specification without prior notice. Glasdon cannot be held responsible for claims arising from incorrect assembly, unauthorised modifications or misuse of the product.